



## Product Description

The **Flush Mount Enclosure** provides a hands-free emergency speakerphone enclosed in rugged carbon steel housing mounted into a wall for a cost-effective and reliable solution to provide direct communication with first responders and extend security efforts to hallways, transit centers, parking decks and other sheltered structures.

## Standard Features

- ✓ Durable carbon steel construction

## Popular Applications



## Popular Accessories

### Remote Public Address.



### Remote Beacon/Strobe



## Technical Features

### Specifications

- **Height:** 11.75" (29.85 cm)
- **Width:** 8.5" (21.59 cm)
- **Depth:** 3.5" (8.89 cm)
- **Weight:** 10.5 lbs. (4.76 kg)
- **Material & thickness:** Carbon steel

### Power

- **Standard:** 12-24V AC/DC
  - Hardwire
  - PoE

### Options

- Remote public address speakers
- Remote beacon/strobe

### Compliance

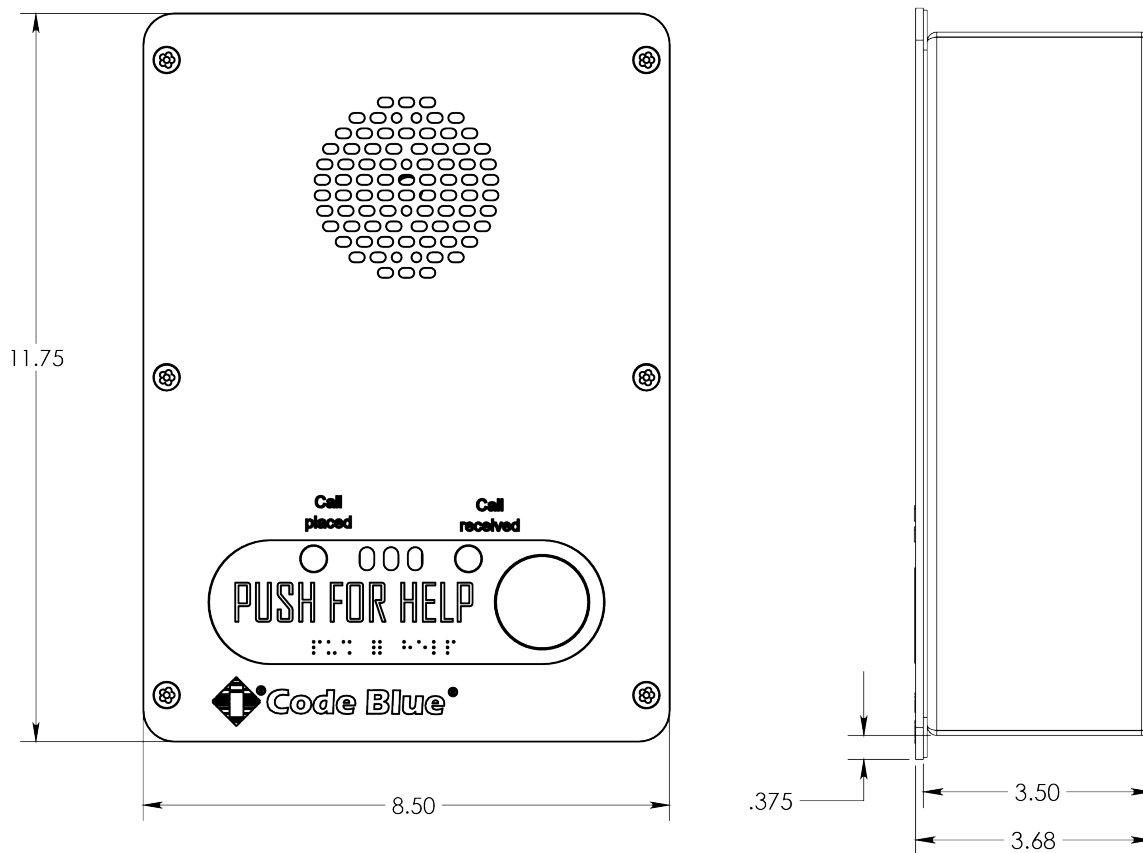
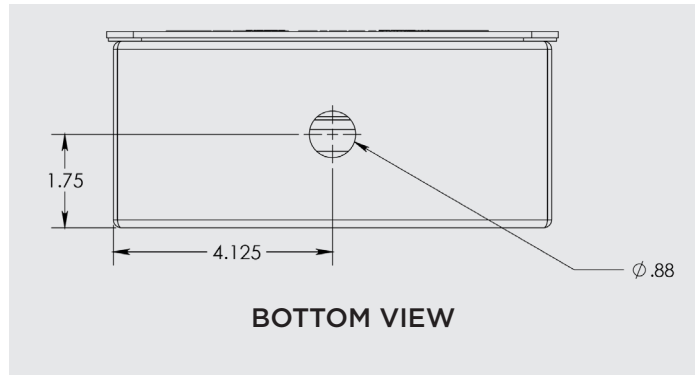
- Built NEMA 3S Specifications
- Designed to ADA Specifications

### Communication

- **Speakerphone Options:** (Full duplex, SIP Compatible)
  - LS1000 VoIP Speakerphone
  - LS2000 VoIP Handset Phone
  - IA4100 Analog Speakerphone
- **Hardwired or Cellular**

## Mounting & Dimensions

### Mounting Schematics



Note: Specifications subject to change without notice or obligation on the part of Code Blue Corporation.