



Product Description

The **Surface Mount Enclosure** provides a hands-free emergency speakerphone enclosed in rugged carbon steel housing for a cost-effective and reliable solution to provide direct communication with first responders and extend security efforts to hallways, transit centers, parking decks and other sheltered structures.

Standard Features

- ✓ Durable carbon steel construction

Popular Applications



Popular Accessories

Remote Public Address



Remote Beacon/Strobe



Curb Mount



Get It Customized

We know your installation is unique. From paint and graphics to height and mountings, if you dream it, we can make it. Contact Customer Service at customerservice@codeblue.com or [800-205-7186](tel:800-205-7186) to learn more.

Technical Features

Specifications

- **Height:** 12.75" (32.39 cm)
- **Width:** 9.5" (24.13 cm)
- **Depth:** 3.48" (8.84 cm)
- **Weight:** 11.5 lbs. (5.21 kg)
- **Material & thickness:** 0.078" carbon steel

Power

- **Standard:** 12-24V AC/DC
- **Optional:**
 - Hardwire
 - PoE

Communication

- **Speakerphone Options**
 - **LS1000/LS2000:** Full duplex, SIP compatible VoIP phone.
 - **IA4100:** Analog full duplex phone.
- Hardwire
- Cellular
- IP wireless

Options

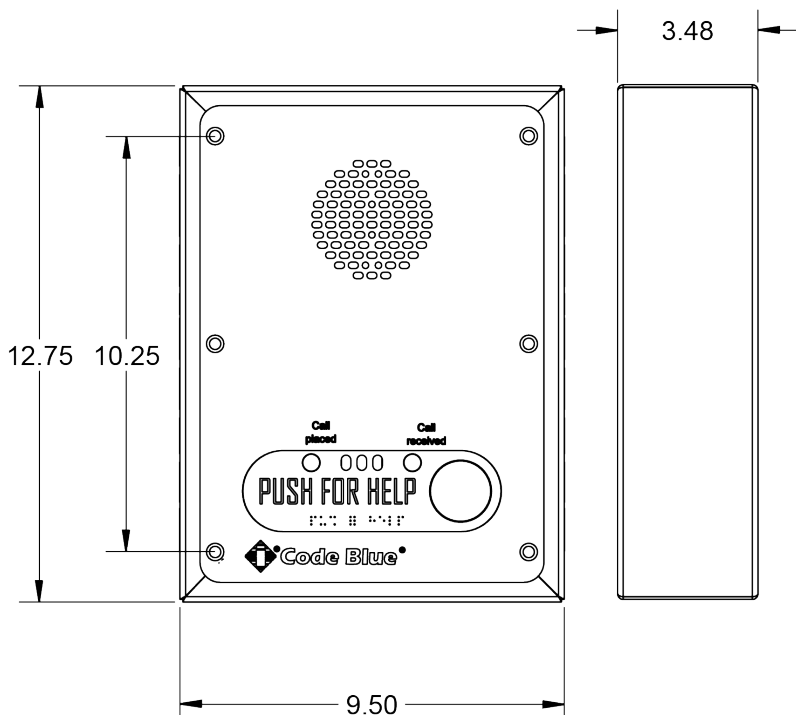
- Remote public address speakers
- Remote beacon/strobe

Style

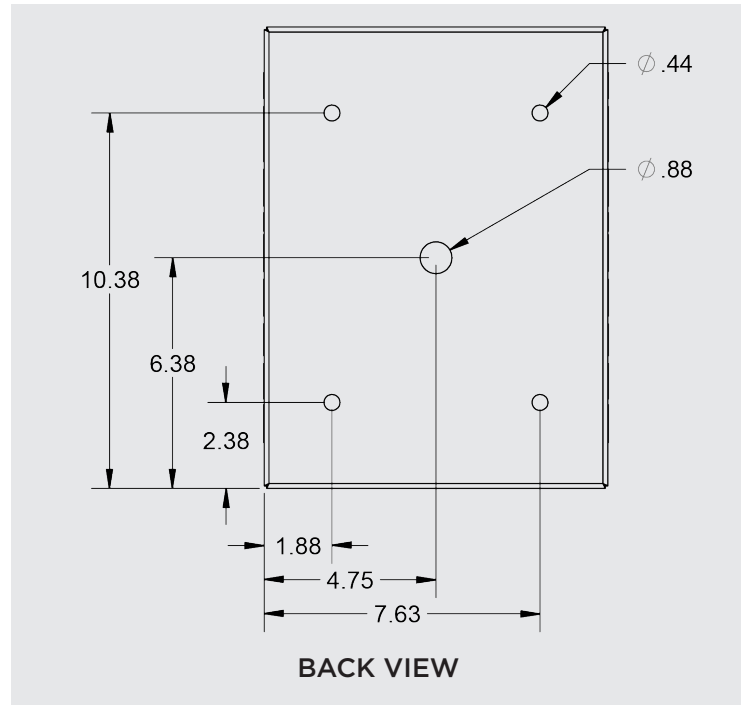
- **Standard wet coat colors:** Dark Bronze, Gloss White, Gloss Black, Safety Blue, Safety Red, Safety Yellow, Bright Silver
- **Standard powder coat colors:** Bright Silver, Safety Yellow
- **Graphics text:** Assistance, Emergency
- **Graphics colors:** Black, Blue, White

Compliance

- Built to NEMA 4 Specifications
- Designed to ADA Specifications



Mounting Schematics



Note: Specifications subject to change without notice or obligation on the part of Code Blue Corporation.